

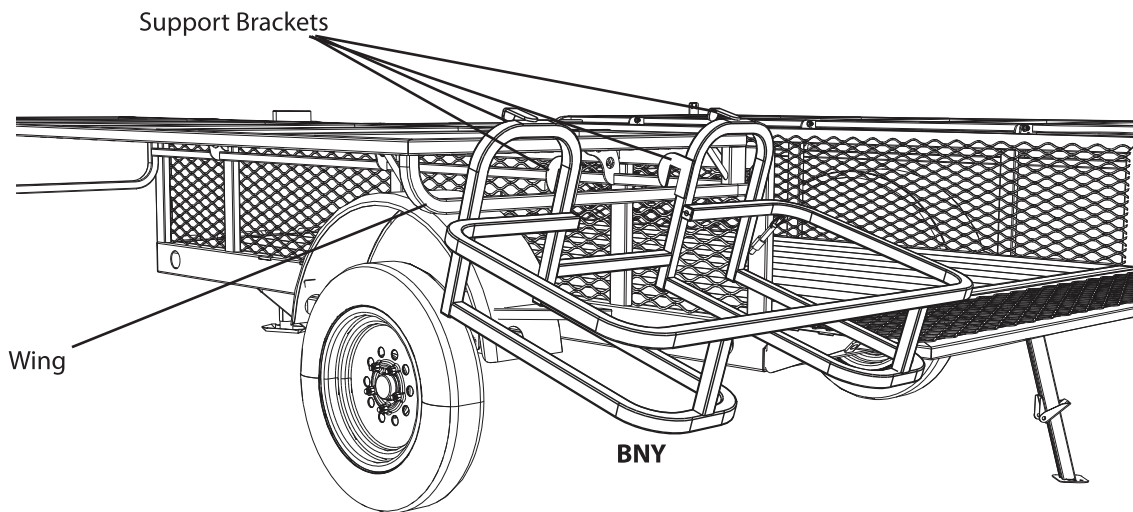
✓ **MODEL 65018: COOLER RACK**

ID	Item Description	Qty	✓
BNY	Cooler Rack	1	<input type="checkbox"/>
BNT	Ratchet Strap	1	<input type="checkbox"/>

COOLER RACK INSTALLATION INSTRUCTIONS

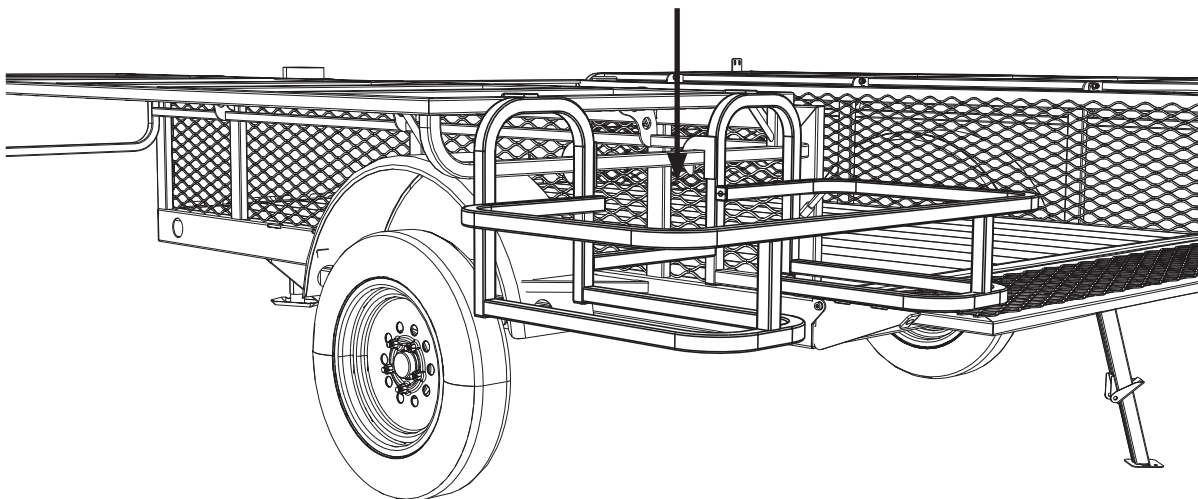
SEC
1.1

Set the Cooler Rack (BNY) support brackets onto the edges of the wing as shown



SEC
1.2

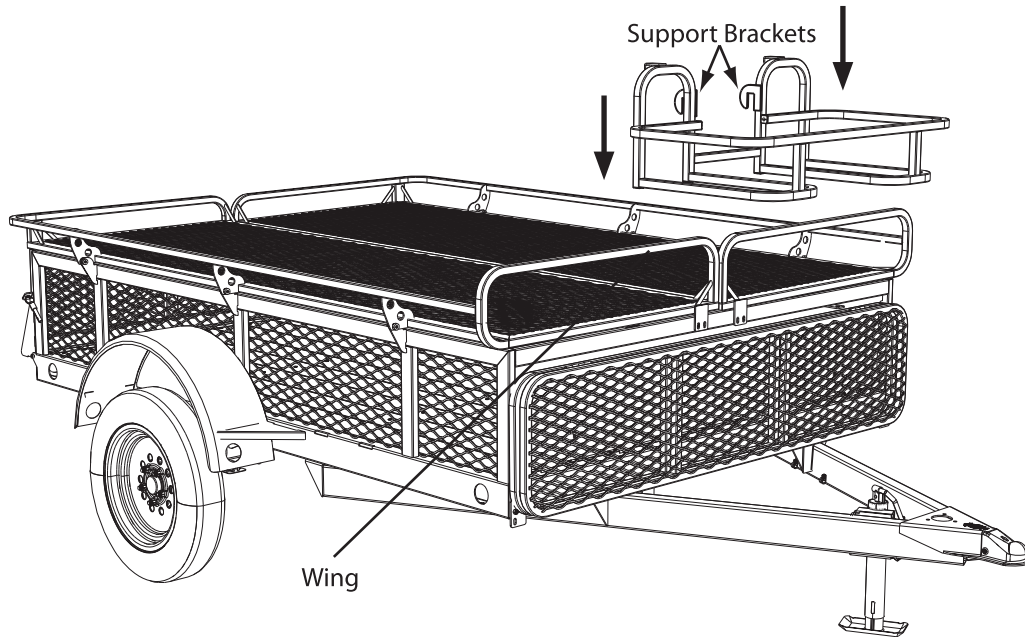
Press down on the Cooler Rack so the support brackets lay flush against the wing of the trailer. Set your ice chest inside the Cooler Rack.



COOLER RACK TRAVEL

SEC
2.1

Set the Cooler Rack support brackets onto the front center edges of the wings as shown.



SEC
2.2

Connect one hook of the Ratchet Strap (BNT) to the underside of the Trailer. Wrap the Ratchet Strap over the Cooler Rack (including Ice chest) as shown, and connect the second hook to the wing of the Trailer as shown. Finally, tighten the Ratchet Strap to secure the Cooler Rack to the Trailer. Tie off any excess strap.

