

✓ **MODEL 65017: WATER RACK**

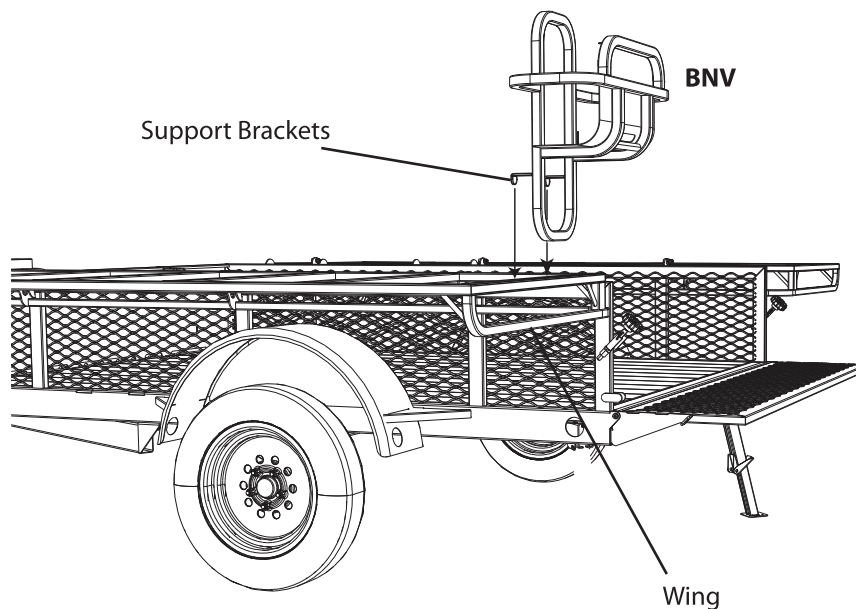
ID	Item Description	Qty	✓
BNV	Water Rack	1	<input type="checkbox"/>
BNX	Water Container	1	<input type="checkbox"/>
BNT	Ratchet Strap	1	<input type="checkbox"/>

WATER RACK INSTALLATION INSTRUCTIONS

SEC

Set the Water Rack (BNV) support brackets onto the edges of the wing as shown

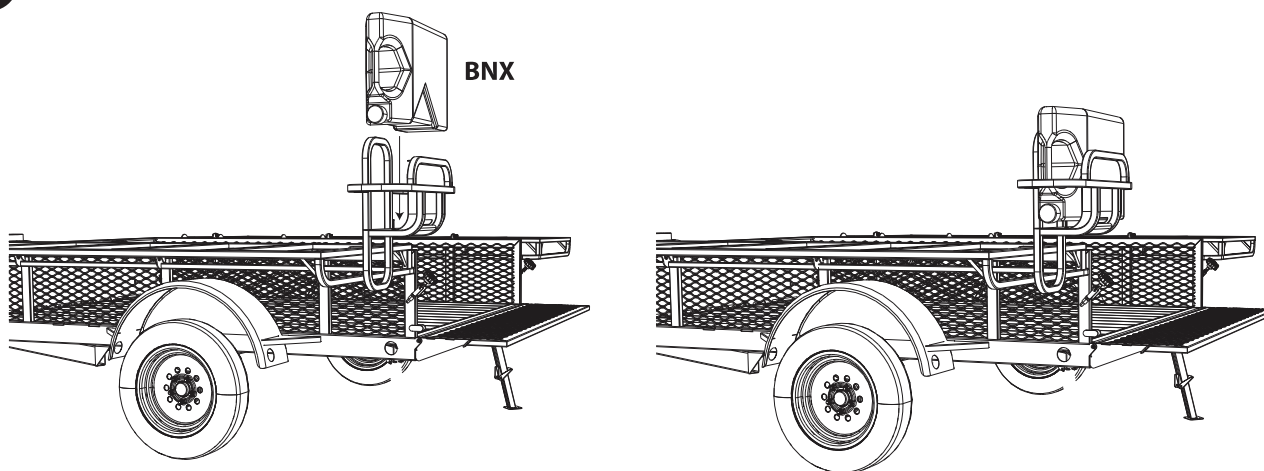
1.1



SEC

2

Set the Water Container (BNX) down into the Water Rack as shown.

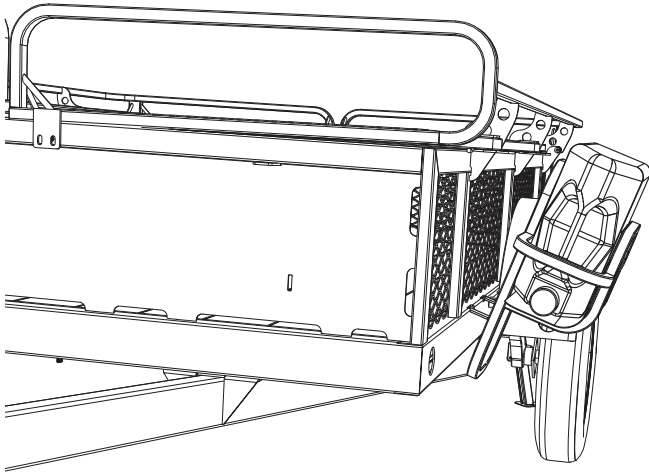


WATER RACK TRAVEL

SEC

2.1

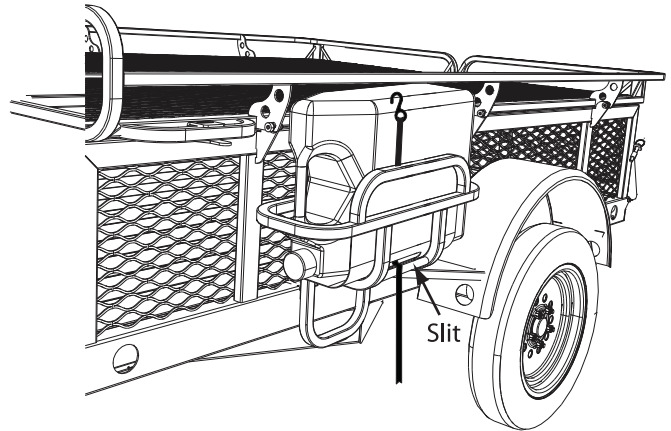
Insert the Water Rack support brackets into the two slots on the side of the Trailer as shown.



SEC

2.2

Insert one end of the Ratchet Strap (**BNT**) through the slit in the plastic nest inside the Water Rack and up between the Water Container and the Water Rack as shown.



SEC

2.3

Connect the upper hook of the Ratchet Strap underneath the rail of the Trailer. Connect the lower hook down on the underside of the frame of the Trailer. Finally, tighten the Ratchet Strap to secure the Water Rack and Water Container to the Trailer.

