

MODEL 65016: PROPANE RACK INSTALLATION

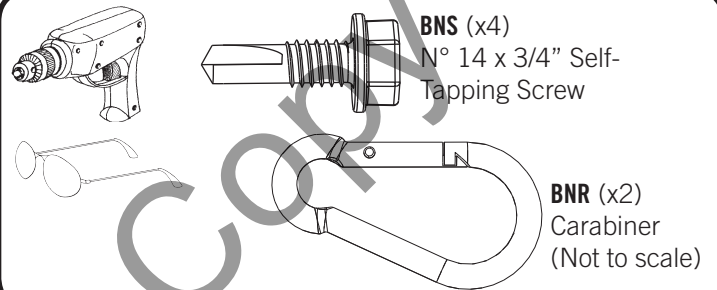


PARTS & HARDWARE LIST



TOOLS AND HARDWARE REQUIRED FOR THIS PAGE

ID	Item Description	Qty	✓
Main Parts			
BNQ	Propane Rack	1	<input type="checkbox"/>
BNU Propane Rack Hardware [1051256]			
BNS	N° 14 x 3/4" Self-Tapping Screw	4	<input type="checkbox"/>
BNR	Carabiner	2	<input type="checkbox"/>
BNT	Ratchet Strap	1	<input type="checkbox"/>

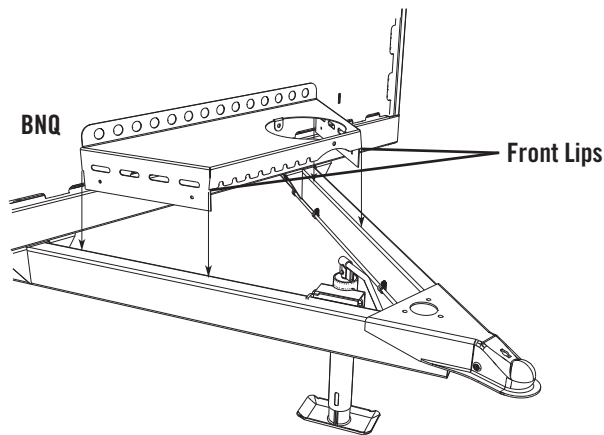


SEC

1.1

PROPANE RACK INSTALLATION INSTRUCTIONS

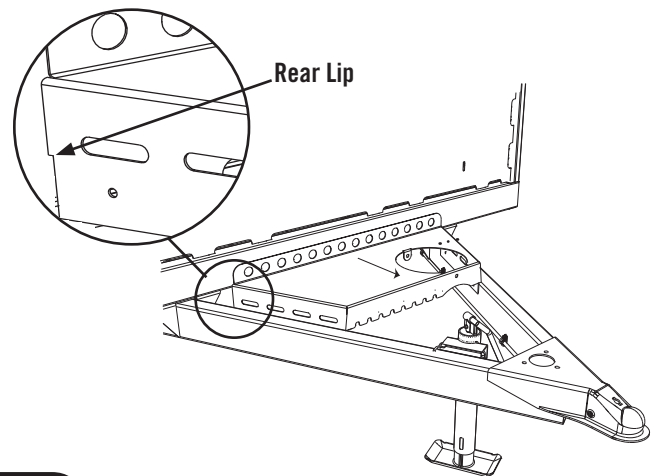
Set **Propane Rack (BNQ)** down into the "V" opening of the tongue so the front lips of the Propane Rack rest on the top of the tongue as shown.



SEC

1.2

Slide Propane Rack forward as far as possible. Hold Propane Rack in place so rear lips are level with the top of the tongue.



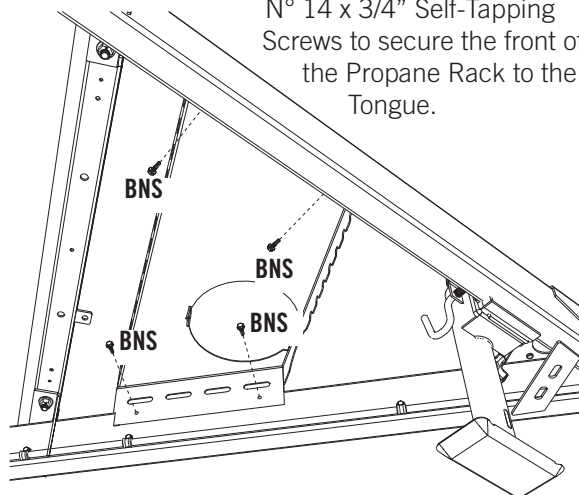
SEC

1.3

TWO ADULTS REQUIRED FOR THIS STEP

While one adult holds the Propane Rack in place, start at the rear holes and insert two (2) **N° 14 x 3/4" Self-Tapping Screws (BNS)** to secure the rear of the Propane Rack to the tongue, as shown.

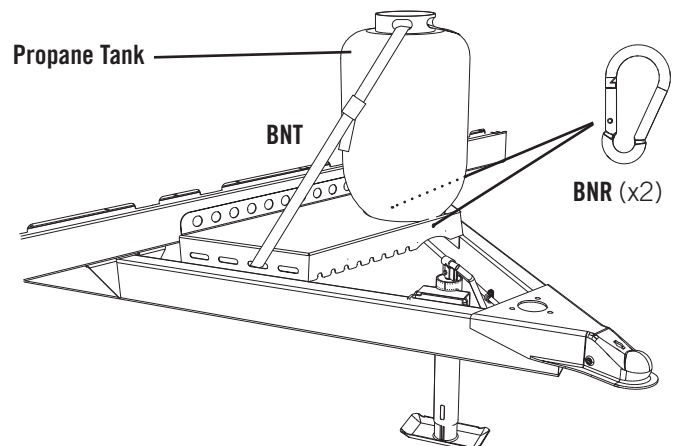
Finally, insert two (2) more **N° 14 x 3/4" Self-Tapping Screws** to secure the front of the Propane Rack to the Tongue.



SEC

1.4

Align the holes in your propane tank stand with those in the Propane Rack, and secure your propane tank to the Propane Rack using the two **Carabiners (BNR)** and the **Ratchet Strap (BNT)**.



! Note: Your propane tank may look different than the one pictured.