



MODEL N° 65028

STORAGE COVER ACCESSORY

COPY

Keep this Identification Number in case you must contact our Customer Service Department at 1.866.461.7001.



MODEL 65028: STORAGE COVER PARTS LIST

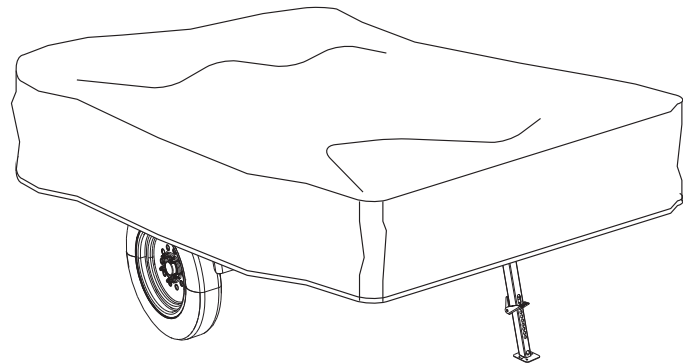
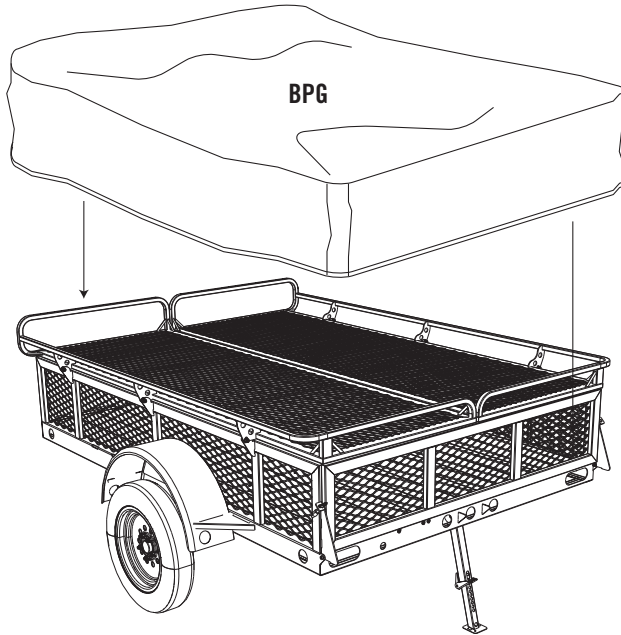
ID	Item Description
BPG	Storage Cover

Qty	✓
1	<input type="checkbox"/>

STORAGE COVER USE INSTRUCTIONS

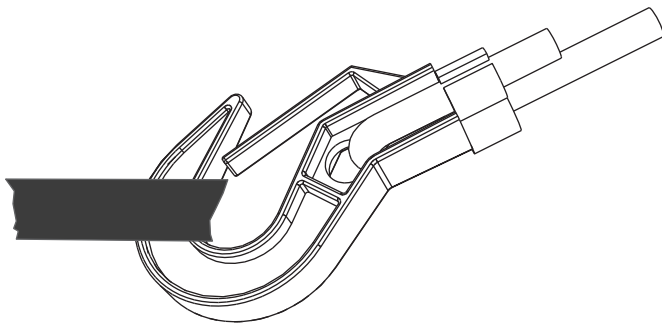
SEC
1

Completely fold up the Trailer as shown. Unfold the **Storage Cover (BPG)** and set Storage Cover over the Trailer.



SEC
2

Insert the Bungee Hook through the Loop at a corner of the Storage Cover.



SEC
3

Tighten the Storage Cover around the corner of the Trailer by removing the cord from the clip on the Bungee Hook and pulling taut. Re-insert the cord back into the clip. **Repeat steps 2-3 for each corner of the Storage Cover.**

